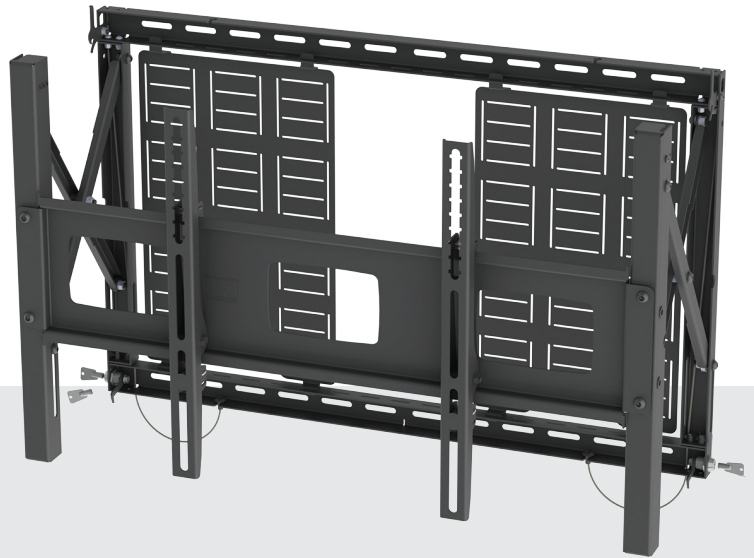




OVERVIEW

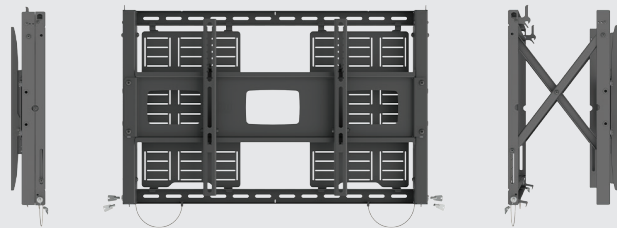
This pull-out serviceable mount offers the ability to populate the perforated AV trays with a broad range of devices for a chosen installation, either on-site or remotely.

The quick release scissor-action movement provides a spacious opening depth of 350mm for easy behind-screen access. Twin locks are provided for additional security when closed.



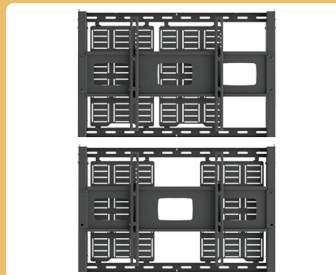
SPECIFICATION

Part Code	ASMW1
Cost (exc. VAT)	£505.60
Dimensions (h x w x d)	600 x 952 x 112-352 mm
Weight	20.8kg
Screen Size (Min - Max)	50 - 75"
VESA Fixing (Min/Max)	200x200 / 800x400
Weight Capacity	60kg
Colour Options	■ □



KEY FEATURES

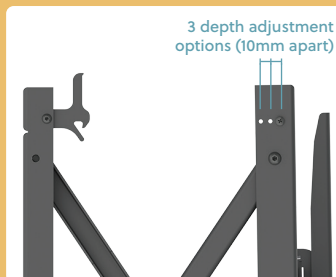
- Spacious opening depth of 350mm.
- Quick-release latch mechanism provides easy access. Dedicated slots allow cords to be safely hidden.
- Lockable to secure devices when closed.
- Removable AV trays offers easy maintenance and allows for pre-population of devices if required.
- 3 depth adjustment settings allow you to cater for larger AV devices when closed (115mm / 125mm / 135mm).
- 310w x 488h AV trays offer ample space for a wide range of AV devices.
- Patented finger tip tilt control makes viewing angle adjustment easy. Offers variable tilt from 0° to 11°.
- Alternative screen arms are available.
- Built-in screen levelling.
- Accommodates a wide range of VESA patterns and screen sizes.
- Compatible with our sound/video bar and video conference camera mounts.



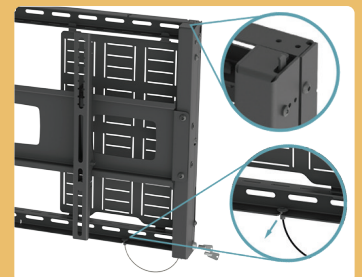
AV trays offer lateral movement to cater for mains and other inputs.



Twin column floor-to-ceiling and floor-to-wall versions available.



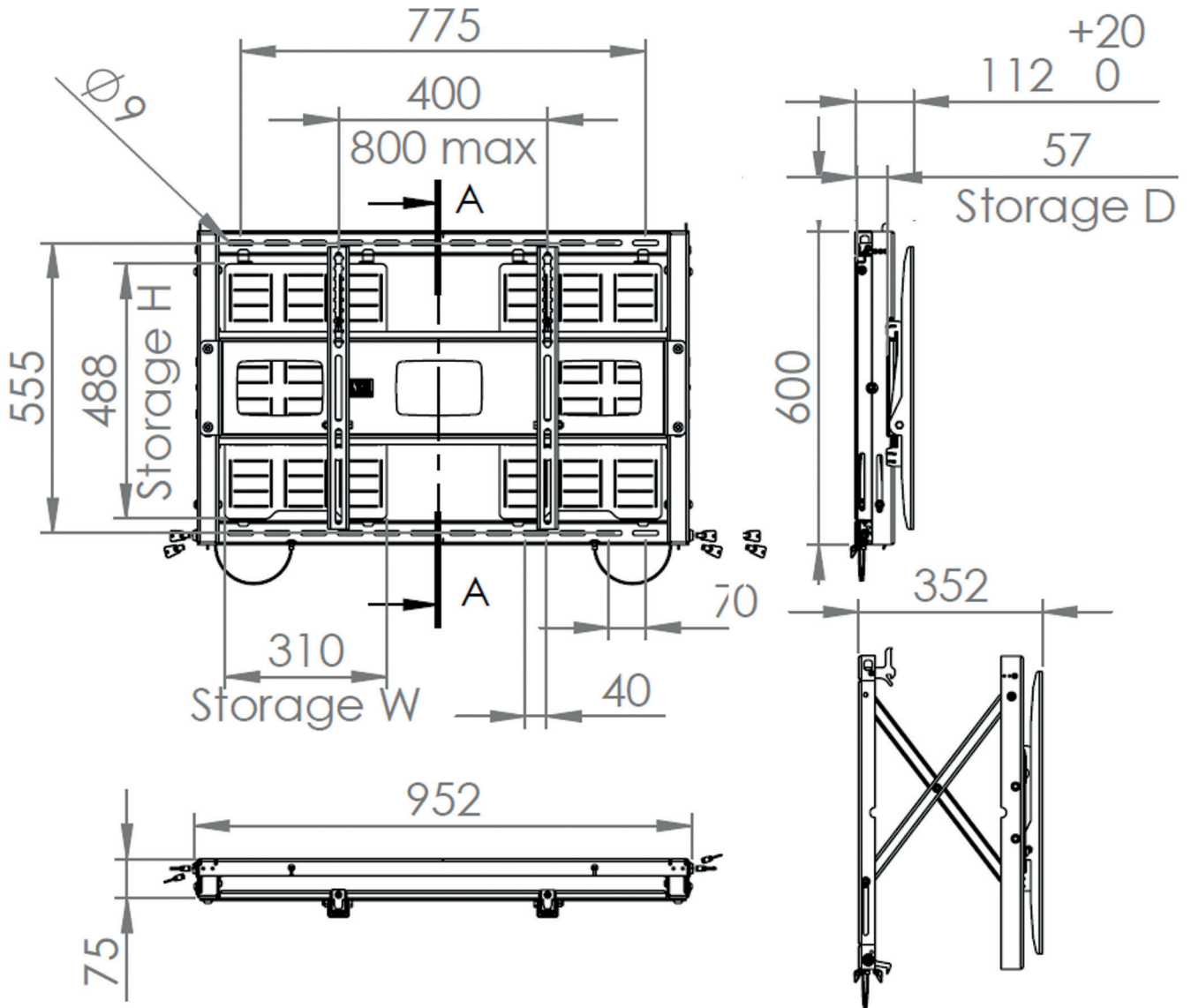
Adjustable closed depth allows you to cater for larger devices.



Easy-to-use pull cord and manual latch for lockable quick release.



TECHNICAL DRAWING



RELATED PRODUCTS



SBM1
Hook-On Sound Bar /
Video Bar Mount



VCMP
Hook-On Video
Conference Camera
Mount



VCTS1
Hook-On Twin Sound
Bar & Video Conference
Camera Mount



VTS1
Vertical Serviceable
Cassette Mount



HTS1
Horizontal Serviceable
Cassette Mount